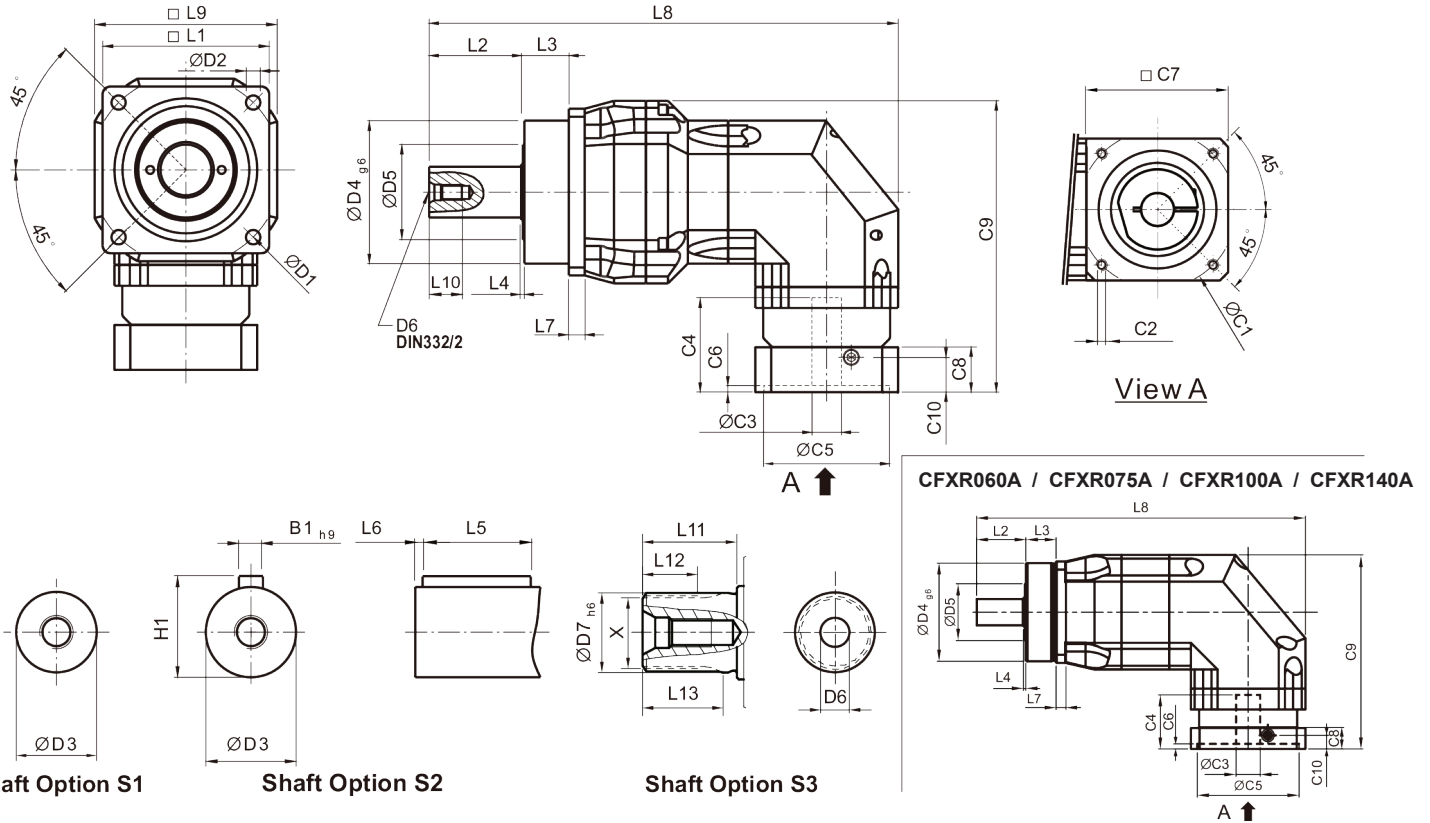


CFXR SERIES DIMENSIONS (2-STAGE, RATIO I = 12~200)

Precision Planetary Gearboxes



DIMENSION	CFXR042	CFXR060	CFXR060A	CFXR075	CFXR075A	CFXR100	CFXR100A	CFXR140	CFXR140A	CFXR180
D1	50	68		85		120		165		215
D2	3.4	5.5		6.8		9		11		13
D3	12 (j6)	16 (h6)		22 (h6)		32 (h6)		40 (h6)		55 (h6)
D4 (g6)	35	60		70		90		130		160
D5	22	21		30		40		75		95
D6	M4x0.7P	M5x0.8P		M8x1.25P		M12x1.75P		M16x2P		M20x2.5P
D7 (h6)	-	16		22		32		40		55
L1	42	62		76		105		142		180
L2	19.5	28.5		36.5		58		82		82
L3	6.5	20		19.5		30		30		30
L4	1	1.5		1.5		2		3		3
L5	14	25		32		40		63		70
L6	2	2		3		5		5		6
L7	4	6		7		10		12		15
L8	139	176	208.5	220	264.5	309.5	344.5	392.5	432	464.5
L9	42	70		90		115		142		180
L10	10	12.5		19		28		36		42
L11	-	26		26		26		40		41.5
L12	-	15		15		15		20		21.5
L13	-	21		22.5		23		33.5		33.5
C1(2)	46	46	70	70	100	100	130	130	165	165
C2(2)	M4x0.7P	M4x0.7P	M5x0.8P	M5x0.8P	M6x1P	M6 x1P	M 8x1.25P	M8x1.25P	M10x1.5P	M10x1.5P
C3(2)	≤11 / ≤12.2	≤11 / ≤12	≤14 / ≤16.2	≤14 / ≤15.875 / ≤16	≤19 / ≤24	≤19 / ≤24	≤32	≤32	≤38	≤38
C4(2)	25	25	34	34	40	40	50	50	60	60
C5(2)	30	30	50	50	80	80	110	110	130	130
C6(2)	3.5	3.5	8	8	4	4	5	5	6	6
C7(2)	42	42	60	60	90	90	115	115	142	142
C8(2)	29.5	29.5	19	19	17	17	19.5	19.5	22.5	22.5
C9(2)	90.5	104.5	116.5	126.5	152.5	165	191.5	205	235.5	254.5
C10(2)	8.75	8.75	13.5	13.5	10.75	10.75	13	13	15	15
B1 (h9)	4	5		6		10		12		16
H1	13.5	18		24.5		35		43		59
X DIN5480	-	W16x0.8x30 x18x6m		W22x1.25x30 x16x6m		W32x1.25x30 x24x6m		W40x2x30 x18x6m		W55x2x30 x26x6m

(3) C1~C10 are motor specific dimensions (metric std shown).