

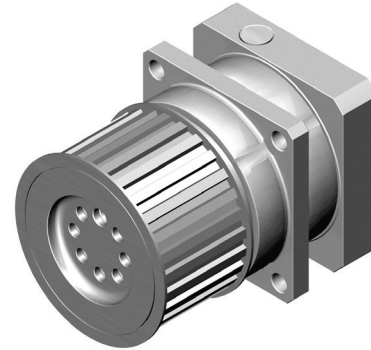
# CPLX SERIES DESCRIPTION

## Economy Spur Planetary Gearbox



Candy's CPLX Series is an economy, planetary servo gearbox with an integral output pulley. Standard profile pulleys are available for all sizes. The CPLX features reduced backlash, lower inertia, higher efficiency and reduced noise. Flexible input designed to accommodate most appropriately sized servo motors.

- Economy, in-line servo gearbox with integral output pulley
- 6 arc minutes backlash for single stage, 8 for double stage
- 1 and 2 stages with available ratios from 3:1 up to 100:1
- Compact structure featuring rotary flange output
- Input design accommodates most appropriately sized servo motors



## Ordering Information

---

### CPLX070 – 010 – Motor – Belt Pulley

