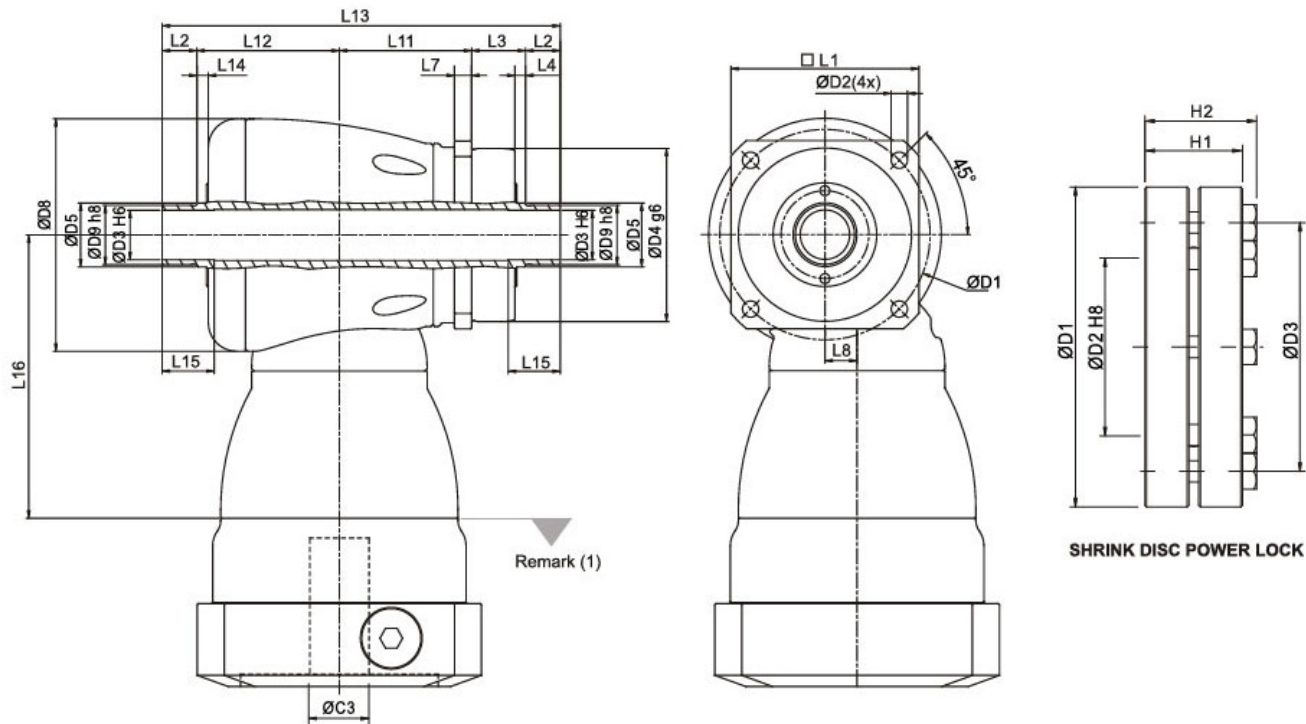


CKF S4 SERIES DIMENSIONS

Precision Hypoid Gearbox



DIMENSION	CKF 060	CKF 075	CKF 100	CKF 140	CKF 180
	1~2-stage				
D1	68	85	120	165	215
D2	5.5	6.6	9	11	13.5
D3 (h6)	15	20	30	40	55
D4 (g6)	60	70	90	130	160
D5	18.5	25.8	36.8	55.2	69.2
D8	73	94	116	163	210
D9 (h8)	18	24	36	50	68
L1	62	76	101	141	182
L2	12	14	18	22	23
L3	22	21.8	32	33	34
L4	4	4.3	5	6	7
L7	6	7	10	12	15
L8	10	13	17	25	31
L11	43	53.5	67	90	119
L12	48.5	57.7	73.3	95	122
L13	137.5	161	208.3	262	321
L14	4	4.7	5	6	7
L15	19	21	25	30	30
L16	94	114.5	129	173.5	228

(1) Dimensions are related to motor interface. Please contact Candy for details.