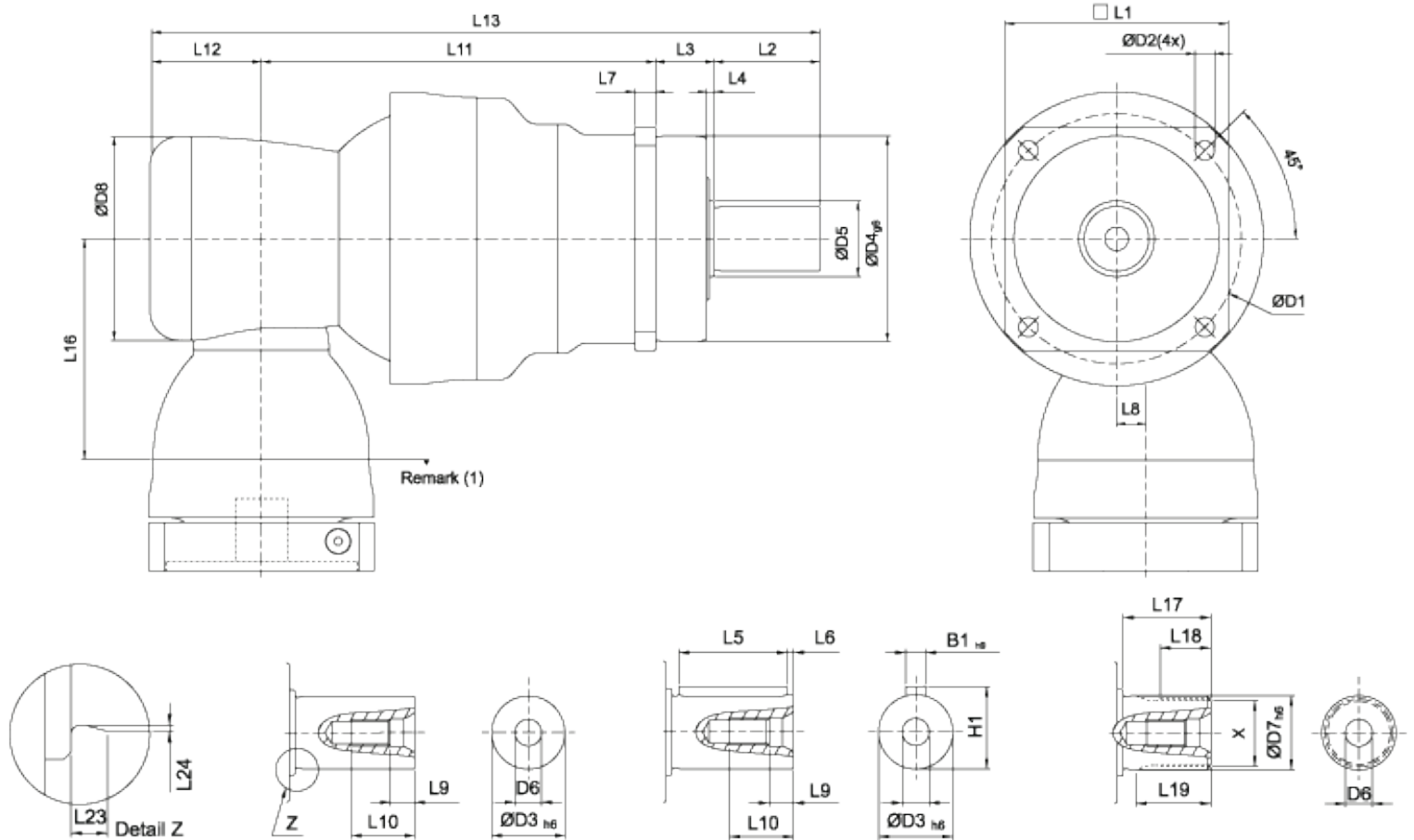


# CFHKA SERIES DIMENSIONS

## (3-STAGE, RATIO I = 100~1000)

Precision Planetary Gearbox



**Shaft Option S1**

**Shaft Option S2**

**Shaft Option S3**

DIMENSION	CFHKA 240
D1	290
D2	17
D3 (h6)	85
D4 (g6)	200
D5	92.2
D6	M20 x 2.5P
D7 (h6)	85
D8	210
L1	245
L2	130
L3	40
L4	3
L5	125
L6	3
L7	22
L8	31
L9	15
L10	42
L11	378
L12	115
L13	663
L16	228
L17	60
L18	36
L19	53
L23	4
L24	0.5
B1	22
H1	90
X DIN5480	W80 x 2 x 30 x 38 x 6m