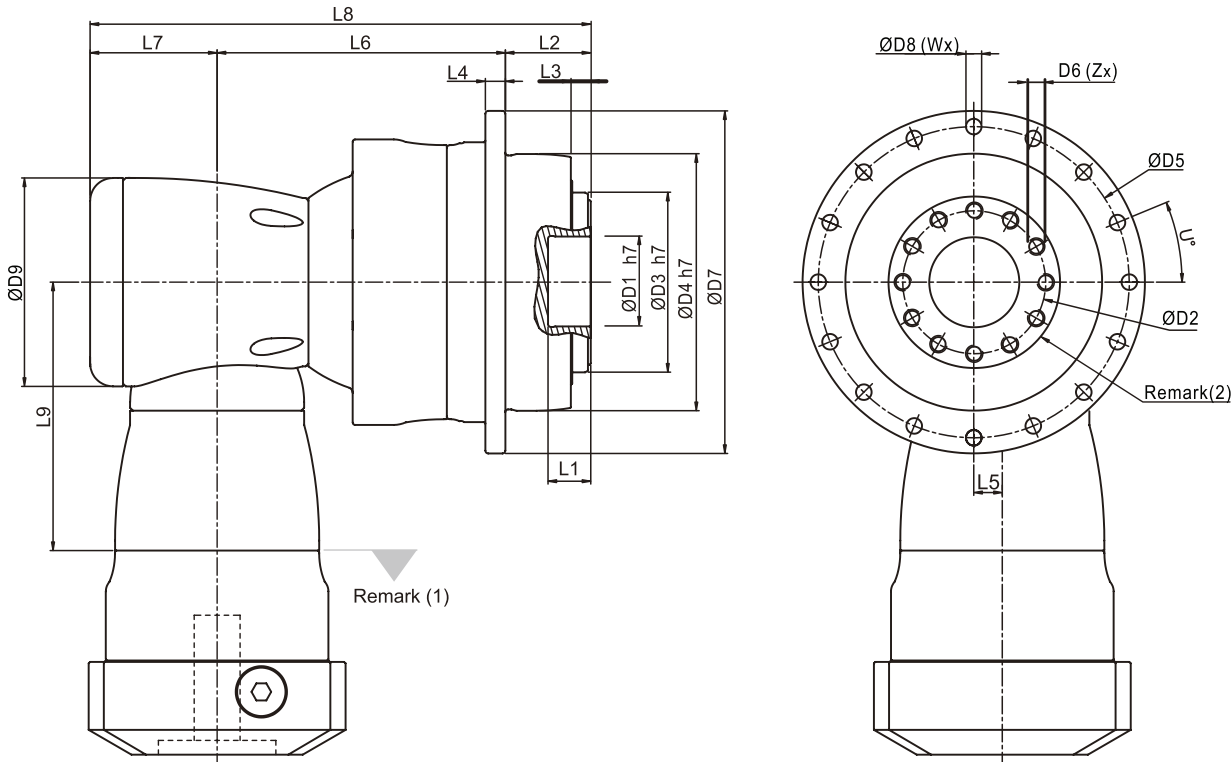


CAPK SERIES DIMENSIONS (4-STAGE, RATIO I = 400~5,500)

Precision Planetary Gearbox



DIMENSION	CAPK 110	CAPK 140	CAPK 200	CAPK 255	CAPK 285	CAPK 355	CAPK 450
D1 (h7)	40	50	80	100	100	120	155
D2	63	80	125	140	160	200	250
D3 (h7)	80	100	160	180	200	250	315
D4 (h7)	110	140	200	255	285	355	450
D5	135	168	233	280	310	385	490
D6 x Pitch x Deep	M8x1.25Px12	M8x1.25Px15	M10x1.5Px20	M16x2Px25	M24x3Px37	M24x3Px32	M30x3.5Px40
D7	147	180	249.5	302	332	415	530
D8	5.5	6.6	9	13.5	13.5	17.5	22
D9	94	116	163	210	210	210	255
L1	15	15	16	16	16	35	24
L2	29	38	50	66	75	80	85
L3	7	7.5	8.5	13.5	16.5	20	20
L4	8	10	12	18	20	45	60
L5	13	17	25	31	31	31	36
L6	132	164	216.5	254.5	300	332	447.5
L7	53	68.3	89	115	115	115	131
L8	214	270.3	355.5	435.5	490	527	663.5
L9	114.5	129	173.5	228	228	228	265.5
X (in Degree)	30°	22.5°	22.5°	24°	26°	22.5°	30°
Y (in Degree)	30°	22.5°	22.5°	24°	26°	22.5°	30°
Z	12	16	16	12	12	16	12
U (in Degree)	22.5°	15°	15°	11.25°	11.25°	15°	15°
W	16	24	24	32	32	24	24

(1) Dimensions are related to motor interface. Please contact Candy Controls for more details. (2) Contact Candy Controls for flange interface references.