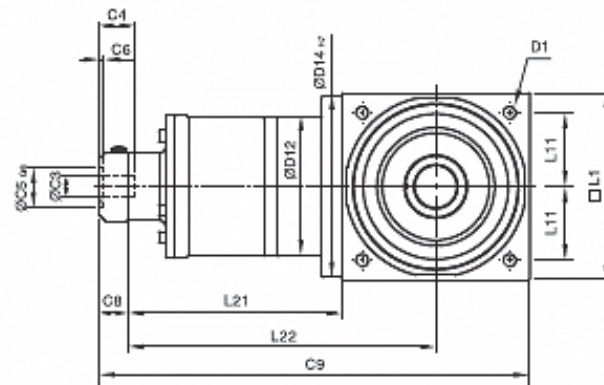
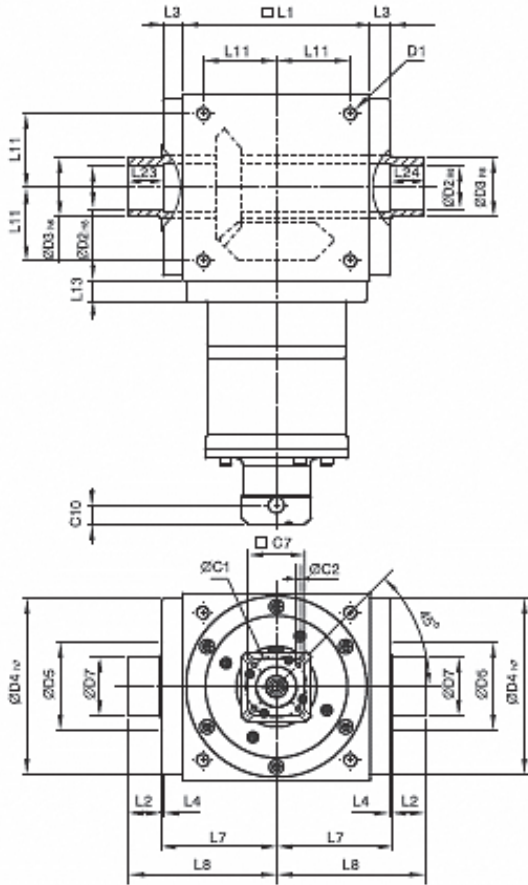


# CT/CTB-FC DIMENSIONS (3 STAGE, RATIO 75~500) Precision Spiral Bevel Gearbox



DIMENSION	MODEL NUMBERS					
	CT/CTB110FC	CT/CTB140FC	CT/CTB170FC	CT/CTB210FC	CT/CTB240FC	CT/CTB280FC
D1	M8	M10	M12	M16	M16	M16
D2 (H6)	22	32	40	50	55	60
D3 (h8)	25	44	50	62	68	75
D4 (h7)	108	135	165	205	235	275
D12	106	104	128	160	180	200
D14 (h7)	108	135	165	205	235	275
D15	107	106	130	158	178	198
D17	38	61	70	86	86	100
D18	50	80	90	110	115	138
L1	110	140	170	210	240	280
L2	18	24	26	29	29	30.5
L3	15	15	15	20	25	25
L4	2	2	2	2	2	2
L7	72	87	102	127	147	167
L8	95	116.5	113.5	161.5	181.5	205
L11	44	55	67	85	95	110
L13	15	15	15	20	25	25
L21	136.5	159.5	183.5	226	269	278
L22	191.5	229.5	268.5	331	389	418
L23	20	26	28	31	31	32.5
L24	20	26	28	31	31	32.5
L25	19.5	25.5	27.5	30.5	30.5	32.5
L26	23	29.5	31.5	34.5	34.5	38
C1*(16)	46	46	70	70	100	100
C2*(16)	M4	M4	M5	M5	M6	M6
C3*(16)	≤ 12	≤ 12	≤ 16	≤ 16	≤ 24	≤ 24
C4*(16)	30	30	34	34	40	40
C5*(16)	30	30	50	50	80	80
C6*(16)	3.5	3.5	8	8	4	4
C7*(16)	42	42	60	60	92	92
C8*(16)	21.5	21.5	21.5	21.5	20	20
C9*(16)	268	321	375	457.5	529	578
C10*(16)	14.5	14.5	15.5	15.5	13	13

\* C1-C10 are motor specific dimensions, metric standard shown. Contact Candy Controls for your specific motor.