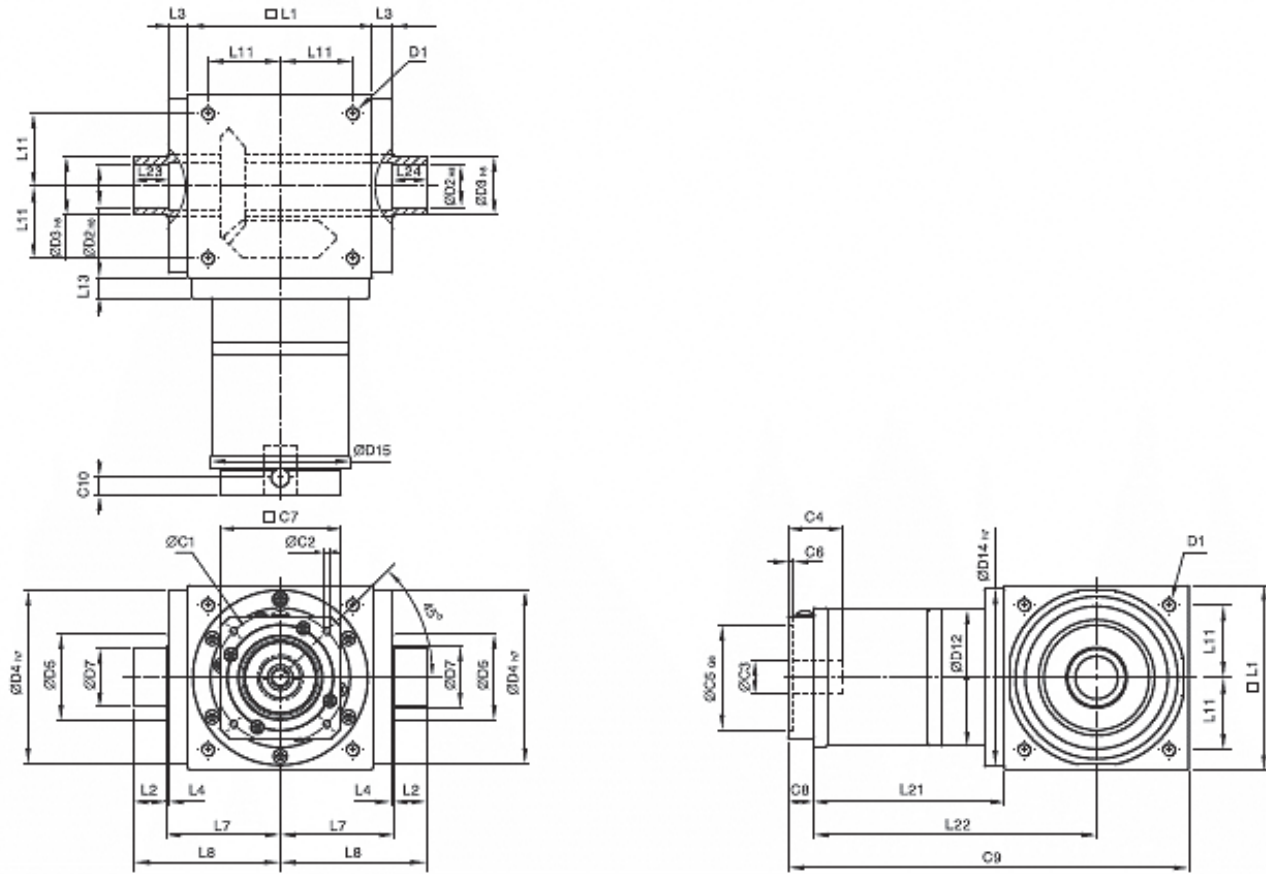


# CT/CTB-FC DIMENSIONS

## (2 STAGE, RATIO 7~50)

Precision Spiral Bevel Gearbox



DIMENSION	MODEL NUMBERS								
	CT/CTB065FC	CT/CTB075FC	CT/CTB090FC	CT/CTB110FC	CT/CTB140FC	CT/CTB170FC	CT/CTB210FC	CT/CTB240FC	CT/CTB280FC
D1	M4	M6	M6	M8	M10	M12	M16	M16	M16
D2 (H6)	13	14	18	22	32	40	50	55	60
D3 (h8)	16	16	22	25	44	50	62	68	75
D4 (h7)	63	73	88	108	135	165	205	235	275
D12	62	72	86	106	104	128	160	180	200
D14 (h7)	63	73	88	108	135	165	205	235	275
D15	62.9	72.9	87	107	106	130	158	178	198
D17	26	26	36	38	61	70	86	86	100
D18	41	41	50	50	80	90	110	115	138
L1	65	75	90	110	140	170	210	240	280
L2	14	14	18	18	24	26	29	29	30.5
L3	13	14.5	15	15	15	15	20	25	25
L4	2	2	2	2	2	2	2	2	2
L7	47.5	54	62	72	87	102	127	147	167
L8	66	72.5	85	95	116.5	113.5	161.5	181.5	205
L11	27	30	36	44	55	67	85	95	110
L13	13	15	15	15	15	15	20	25	25
L21	75	84.5	99	122	144.5	157.5	206.5	239	248
L22	107.5	122	144	177	214.5	242.5	311.5	359	388
L23	15	15	20	20	26	28	31	31	32.5
L24	15	15	20	20	26	28	31	31	32.5
L25	15	15	19.5	19.5	25.5	27.5	30.5	30.5	32.5
L26	18.5	18.5	23	23	29.5	31.5	34.5	34.5	38
C1*(15)	46	46	70	100	100	100	130	165	165
C2*(15)	M4	M4	M5	M6	M6	M6	M8	M10	M10
C3*(15)	≤ 12	≤ 12	≤ 16	≤ 24	≤ 24	≤ 24	≤ 32	≤ 38	≤ 38
C4*(15)	30	30	34	40	40	40	50	60	60
C5*(15)	30	30	50	80	80	80	110	130	130
C6*(15)	3.5	3.5	8	4	4	4	5	6	6
C7*(15)	42	42	60	92	92	92	115	142	142
C8*(15)	21.5	21.5	21.5	20	20	20	24	31	31
C9*(15)	161.5	181	210.5	252	304.5	347.5	440.5	510	559
C10*(15)	14.5	14.5	15.5	13	13	13	16	21	21

\* C1-C10 are motor specific dimensions, metric standard shown. Contact Candy Controls for your specific motor mounting system.