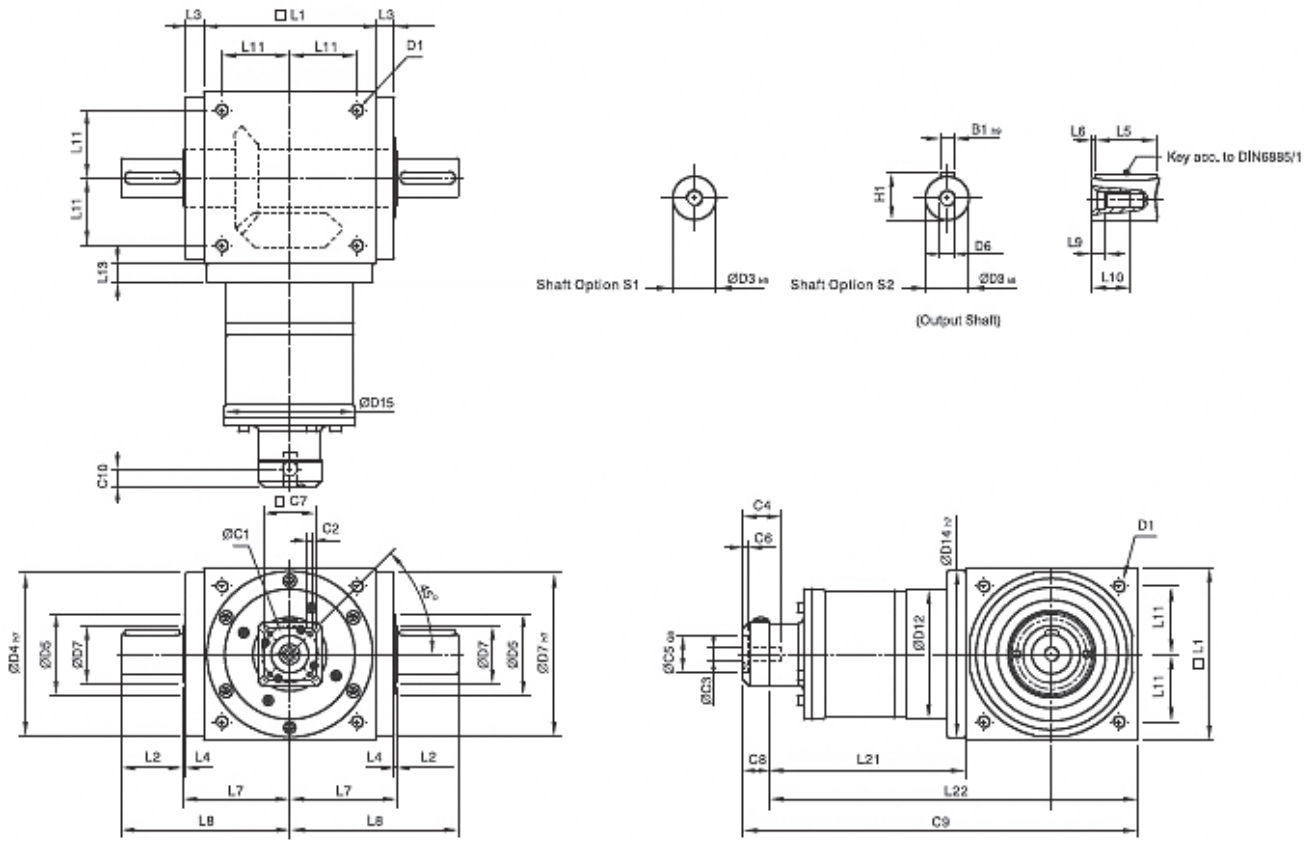


CT/CTB-FL & FL1 DIMENSIONS

(3 STAGE, RATIO 75~500)

Precision Spiral Bevel Gearbox



CT/CTB-FL pictured above. CT/CTB-FL1 is without the shaft on the right.

DIMENSION	MODEL NUMBER					
	CT/CTB110FL/FL1	CT/CTB140FL/FL1	CT/CTB170FL/FL1	CT/CTB210FL/FL1	CT/CTB240FL/FL1	CT/CTB280FL/FL1
D1	M8	M10	M12	M16	M16	M16
D3 (k6)	22	32	40	50	55	60
D4 (h7)	108	135	165	205	235	275
D5	53	68	83	104	124	144
D6	M8	M12	M16	M16	M16	M20
D7	33	47	55	75	85	110
D12	106	104	128	160	180	200
D14 (h7)	108	135	165	205	235	275
D15	107	106	130	158	178	198
L1	110	140	170	210	240	280
L2	40	50	60	75	85	110
L3	15	15	15	20	25	25
L4	2	2	2	2	2	2
L5	32	45	50	70	80	100
L6	4	2.5	5	2.5	2.5	5
L7	72	87	102	127	147	167
L8	112	137	162	202	232	277
L9	7.2	10	12	12	12	15
L10	19	28	36	36	36	42
L11	44	55	67	85	95	110
L13	15	15	15	20	25	25
L21	136.5	159.5	183.5	226	269	278
L22	191.5	229.5	268.5	331	389	418
C1*(4)	46	46	70	70	100	100
C2*(4)	M4	M4	M5	M5	M6	M6
C3*(4)	≤ 12	≤ 12	≤ 16	≤ 16	≤ 24	≤ 24
C4*(4)	30	30	34	34	40	40
C5*(4)	30	30	50	50	80	80
C6*(4)	3.5	3.5	8	8	4	4
C7*(4)	42	42	60	60	92	92
C8*(4)	21.5	21.5	21.5	21.5	20	20
C9*(4)	268	321	375	457.5	529	578
C10*(4)	14.5	14.5	15.5	15.5	13	13
B1 (h9)	6	10	12	14	16	18
H1	24.5	35	43	53.5	59	64

* C1-C10 are motor specific dimensions, metric standard shown. Refer to factory for your specific motor.