

Rigid Couplings

CL13 Miniature Series

- Extremely low inertia
- Available in aluminum and stainless steel
- Low-cost motion coupling where misalignment is not present



Aluminum

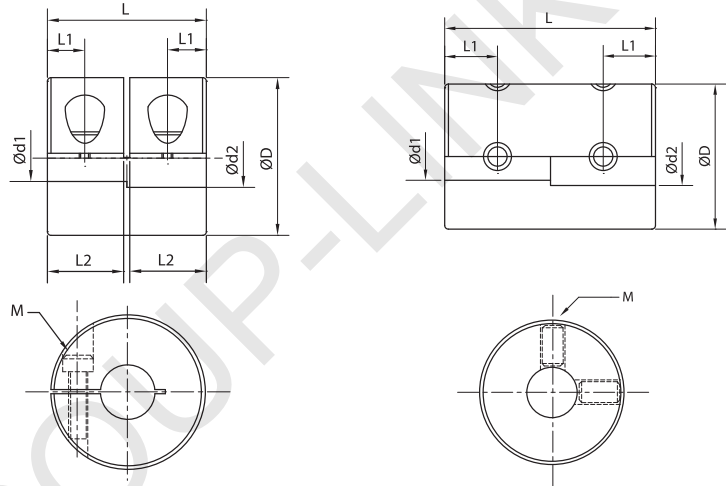
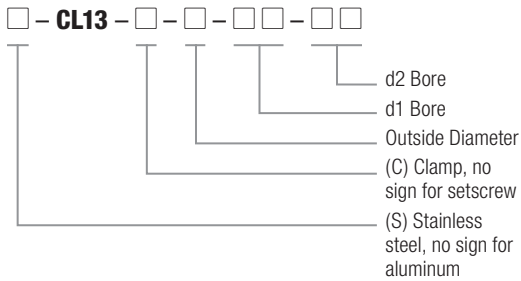


Stainless Steel

CL13 OPTIONS

- Aluminum 6061
- Stainless Steel 303
- Setscrew
- Clamp

ORDERING INFORMATION



CL13 SETSCREW AND CLAMP DIMENSIONS

Model	Bore Range (Ød1-Ød2)				ØD	L		L1		L2	M		Wrench Torque		
	Setscrew		Clamp			Setscrew & Clamp	Setscrew	Clamp	Setscrew		Clamp	Setscrew	Clamp	Setscrew	Clamp
	in	mm	in	mm			mm	mm	mm		mm	mm	metric	metric	Nm
CL13-16	0.11-0.24	3-6	0.19-0.24	5-6	16	24	16	6	3.75	7.5	M3	M2.5	0.7	1	
CL13-20	0.19-0.39	5-10	0.23-0.31	6-8	20	30	20	7	4.75	9.5	M3	M2.5	0.7	1	
CL13-25	0.31-0.47	8-12	0.31-0.39	8-10	25	36	25	9	6	12	M4	M3	1.7	1.5	
CL13-32	0.47-0.63	12-16	0.39-0.55	10-14	32	41	32	10	7.75	15.5	M4	M4	1.7	2.5	
SCL13-16	0.11-0.24	3-6	0.19-0.24	5-6	16	24	16	6	3.75	7.5	M3	M2.5	0.7	1	
SCL13-20	0.19-0.39	5-10	0.23-0.31	6-8	20	30	29	7	4.75	9.5	M3	M2.5	0.7	1	
SCL13-25	0.31-0.47	8-12	0.31-0.39	8-10	25	36	25	9	6	12	M4	M3	1.7	1.5	
SCL13-32	0.47-0.63	12-16	0.39-0.55	10-14	32	41	32	10	7.75	15.5	M4	M4	1.7	2.5	

CL13 SETSCREW AND CLAMP SPECIFICATIONS

Model	Rated Torque		Max. Torque		Max. Speed (rpm)		Moment of Inertia (kg•m ²)		Mass (g)	
	lb-in	Nm	lb-in	Nm	Setscrew	Clamp	Setscrew	Clamp	Setscrew	Clamp
CL13-16	2.66	0.3	5.31	0.6	23000	9300	3.1x10 ⁻⁷	2.9x10 ⁻⁷	11	8.2
CL13-20	4.43	0.5	8.85	1.0	18000	7400	8.5x10 ⁻⁷	8.6x10 ⁻⁷	20	14.5
CL13-25	8.85	1.0	17.70	2.0	14000	6000	2.6x10 ⁻⁶	2.6x10 ⁻⁶	39	28
CL13-32	17.70	2.0	35.40	4.0	10000	4600	9.1x10 ⁻⁶	7.0x10 ⁻⁶	71	50
SCL13-16	2.66	0.3	5.31	0.6	23000	9300	8.1x10 ⁻⁷	7.9x10 ⁻⁷	28	21
SCL13-20	4.43	0.5	8.85	1.0	18000	7400	2.2x10 ⁻⁶	2.3x10 ⁻⁶	54	40
SCL13-25	8.85	1.0	17.70	2.0	14000	6000	7.1x10 ⁻⁶	7.2x10 ⁻⁶	100	79
SCL13-32	17.70	2.0	35.40	4.0	10000	4600	2.4x10 ⁻⁵	2.4x10 ⁻⁵	190	158